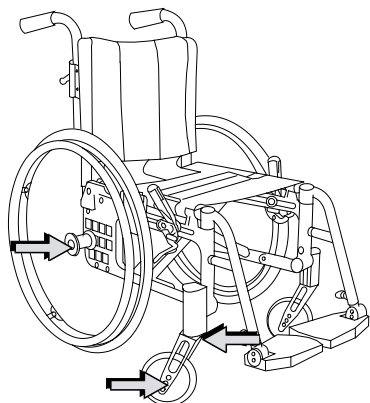


Further use

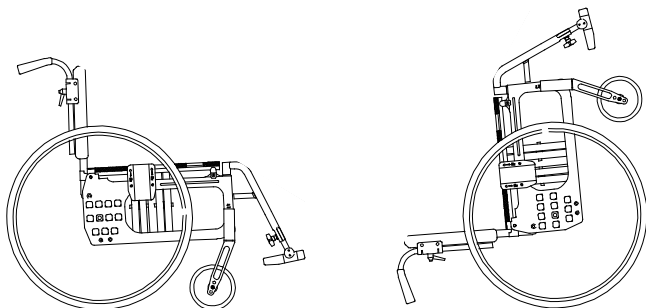
Etac wheelchairs may be further used.

Cleaning

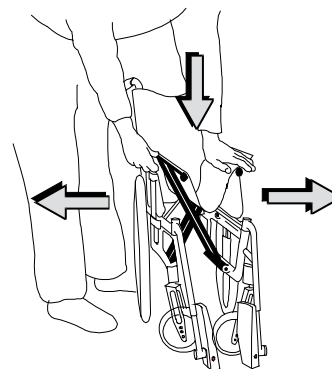
- Clean the chassis with non-abrasive detergent, pH value 5-9 or with 70 % disinfectant solution. Rinse and dry.
- Machine wash max. 60 °C for max. 7 minutes.
- Do not rinse directly on the bearings using a high-pressure cleaner.



- Do not rinse the upholstery from close quarters using a high-pressure cleaner.
- Remove any adhesive decals and labels. Please note that any labels from ETAC must be left in place.
- Set the wheelchair on its wheels after washing, so the water can run out of the holes. Leave to stand for 5-10 minutes.



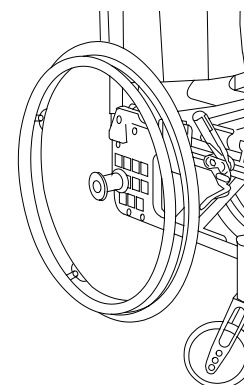
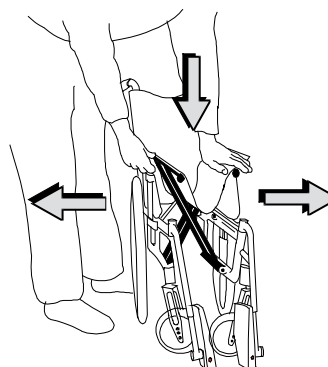
- Ensure that the wheelchair is fully unfolded while it dries.



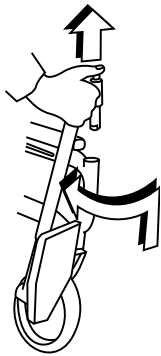
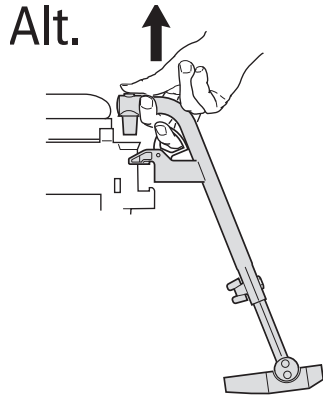
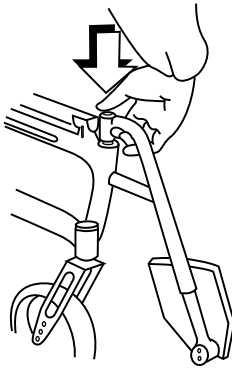
Check and replace worn parts

- Parts that are warped, or have cracks, rust damage or deformations must be replaced.
- Etac recommends using only original parts. ETAC's original parts are tested together with the product for their intended use and have undergone prescribed testing methods. When replacing parts that affect safety, only ETAC's original parts are to be used.
- Minor paint damage can be repaired using touch-up paint.
- Replace tyres that have cracks or are more than 50 % worn.
- Folding and moving parts must function as intended.

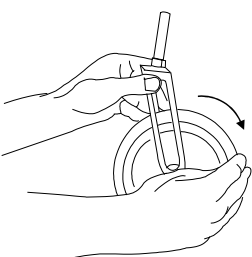
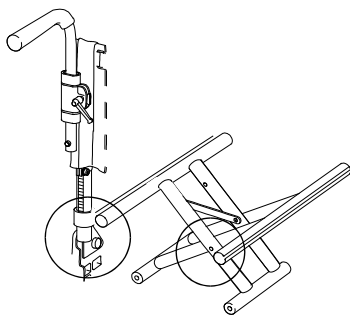
Check the air pressure in the tyres.
Low pressure= 3.5 kg/cm²
High pressure= 6 kg/cm²



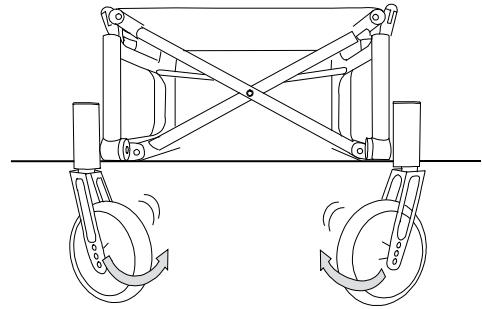
- Check that legrests are swingable and removable.
- If lockable legrests, check the locking function.



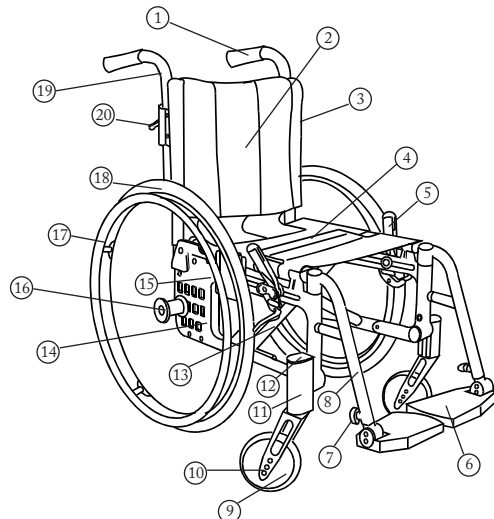
- Look for cracks or deformations in/on the back and cross section.



The wheel must turn without the bearings catching.



- The front fork must rotate without the bearings catching.
- Adjust castors so that all four wheels are on the floor (see manual).
- Adjust the userbrakes/ drum brakes according to the manual.
- Adjust the anti-tip stabilisers to the correct height according to the manual.
- The wheelchair must move in a straight line.
- A user manual must be included.
- All settings must be done according to current manual for each model.



- | | | | |
|----|---------------------|----|-----------------------|
| 1 | Push handle | 11 | Front fork assembly |
| 2 | Backrest cover | 12 | Cover plug |
| 3 | Backrest upholstery | 13 | Cross-brace |
| 4 | Seat upholstery | 14 | End piece |
| 5 | Brake | 15 | Armrest mounting |
| 6 | Footrest | 16 | Fixed hub |
| 7 | Knob footrest lock | 17 | Handrim |
| 8 | Legrest | 18 | Rear wheel |
| 9 | Swivel castors | 19 | Backrest tube |
| 10 | Front fork | 20 | Push handle lock knob |